

ME-5000D Specification

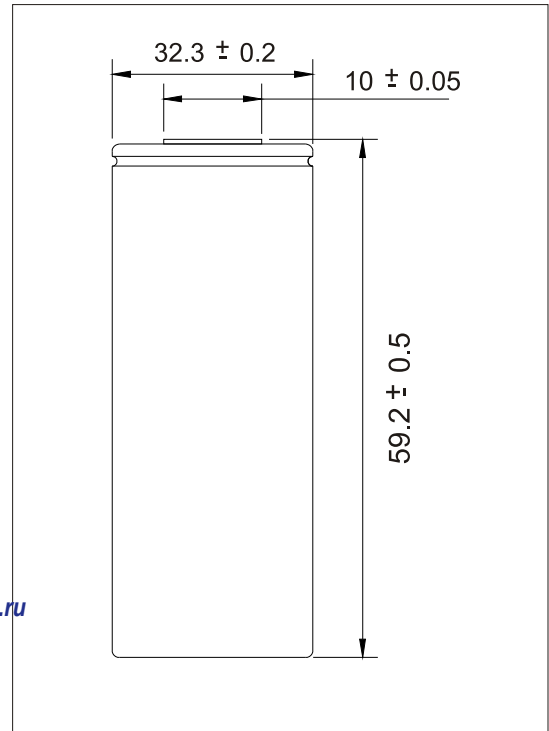
NiCD Cylindrical Battery

Size: D

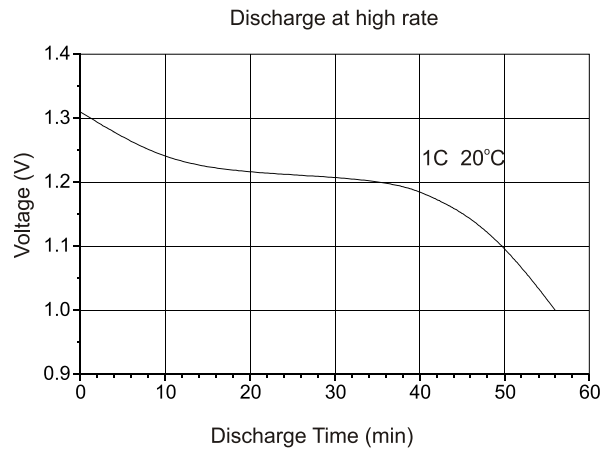
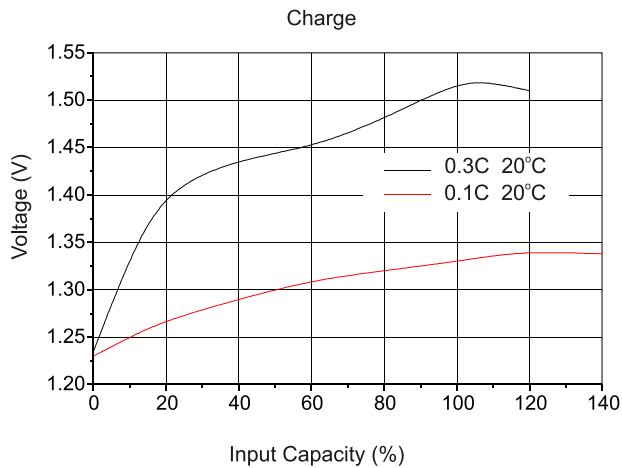
Specification

Nominal Capacity		5000 mAh	
Nominal Voltage		1.2 V	
Charge Current	Standard	500mA	
	Quick	1500mA	
Charge Time	Standard	14~16 Hrs	
	Quick	4.0 Hrs *	
Ambient Temperature	Charge	Standard	0 °C~50 °C
		Quick	10 °C~50 °C
	Discharge		-20 °C~60 °C
Storage		-20 °C~35 °C	
Internal Impedance(mΩ) (After Charge)		Max≤12	
Weight		126g	

Website: www.sentosa.ru
Tel.: +7 812 320-61-11



*- $\Delta V=5\sim 10\text{mV/cell}$ or Temp. up to 50°C



**Note: The data in this document are for descriptive purposes only and subject to change without prior notice.