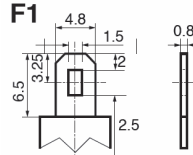


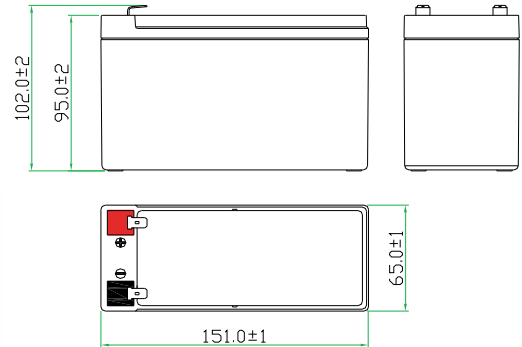
CHEE YUEN SEALED LEAD-ACID BATTERIES

CA1270[12V7.0AH]



Terminal

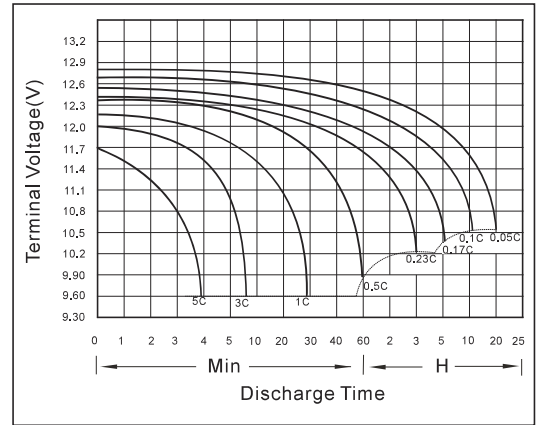
• Outer dimensions(mm)



Specifications

Nominal Voltage		12V	Rated Capacity (20 hour rate)	7.0AH
Dimensions ± 1mm	Length	151mm 5.94 inches	Weight	Approx 2050g
	Width	65mm 2.56 inches	Standard	F1
	Height	95mm 3.74 inches	Terminal	
	Total Height (With Terminals)	102mm 4.01 inches	Optional Terminal	F2

• Discharge Characteristics (25°C/77°F)



Electrical Specifications

Capacity 77°F(25°C)	20 hour rate(350mA)	7.00AH	Internal Resistance	25 mΩ
	10 hour rate(630mA)	6.30AH		
	5 hour rate (1190mA)	5.95AH	Full charged battery 77°F (25°C)	
	1 hour rate(4200mA)	4.20AH		
Capacity Affected by Temperature (20 hour rate)	104°F (40°C)	102%	Self-discharge 77°F(25°C)	Capacity after 1 month storage 95%
	77°F (25°C)	100%		Capacity after 3 month storage 90%
	32°F (0°C)	85%		Capacity after 6 month storage 80%
	5°F (-15°C)	65%		Capacity after 9 month storage 60%
Charge Constant Voltage	Cycle use:Initial Charging Current less than 2.10A; Voltage 14.40~15.00V 77°F(25°C) Standby use:Voltage 13.50~13.80V 77°F(25°C)			

Temperature Effects in Relation to Battery Capacity

