

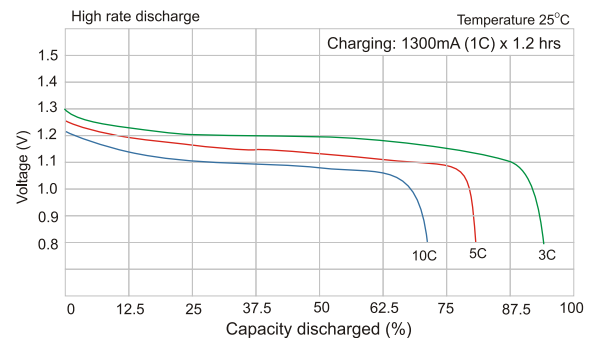
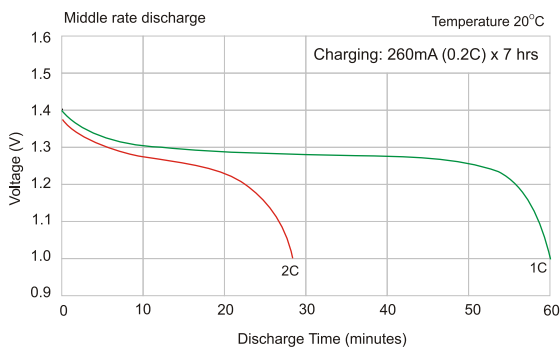
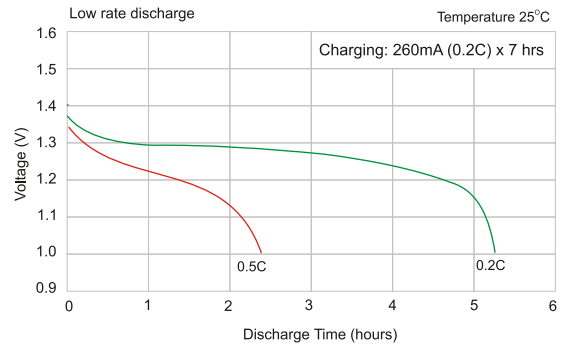
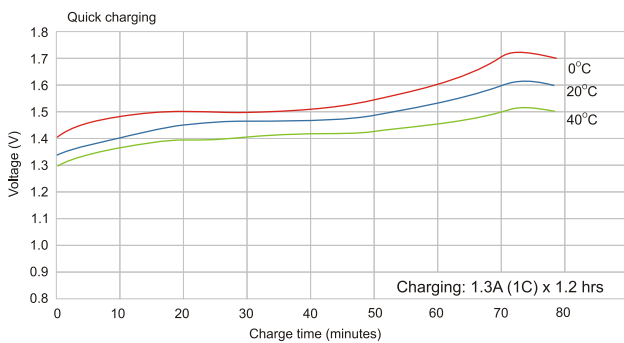
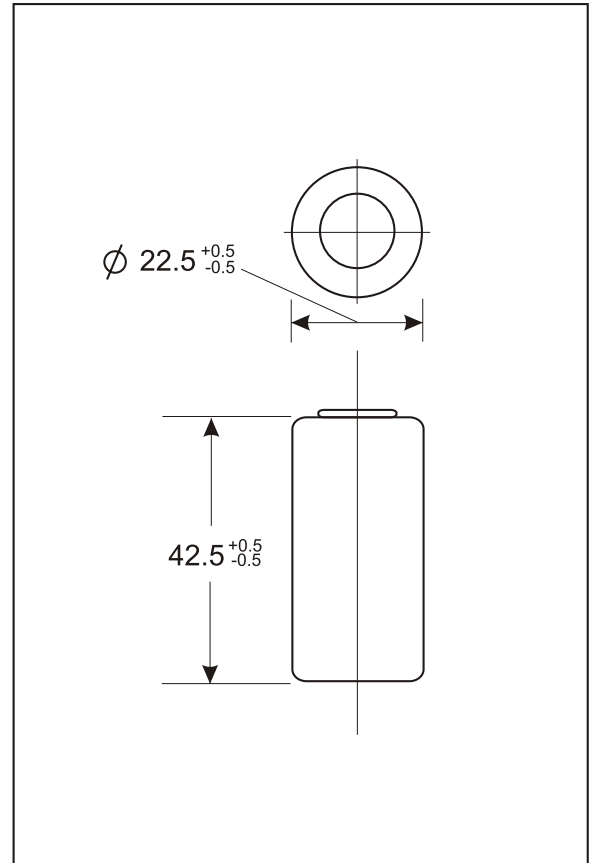
ME-1300SC/HP Specification

NiCD Cylindrical Battery

Size: SC

Typical Characteristics

Model: ME-1300SC/HP			
Specifications			
Nominal Voltage (V)		1.2V	
Capacity	Discharge rate	C/5	1C
	Normal (mAh)	1300	1170
	Typical (mAh)	1350	1220
Dimension	Diameter (mm)	22.5 ^{+0.5} _{-0.5}	
	Height (mm)	42.5 ^{+0.5} _{-0.5}	
Charging	Standard	130mA x 15 hrs	
	Quick	1300mA x 1.2 hrs T _{max} =45°C -ΔV = 5~8mV	
Operating Temperature (°C)	Standard Charging	0 ~ 45°C	
	Quick Charging	10 ~ 40°C	
	Discharging	-20 ~ 60°C	
	Storage	-20 ~ 35°C	
Internal Resistance	≤ 13m Ohm (upon 50% discharge)		
Weight	Approx.42g		
Cuff-off Voltage (V)	1.00		



**Note: The data in this document are for descriptive purposes only and subject to change without prior notice.