

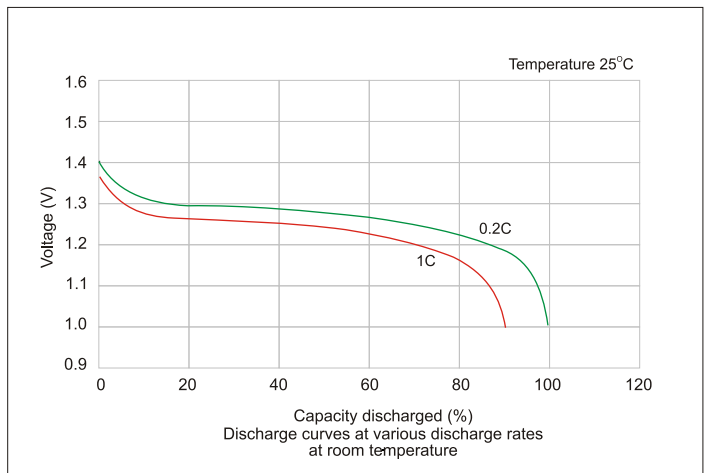
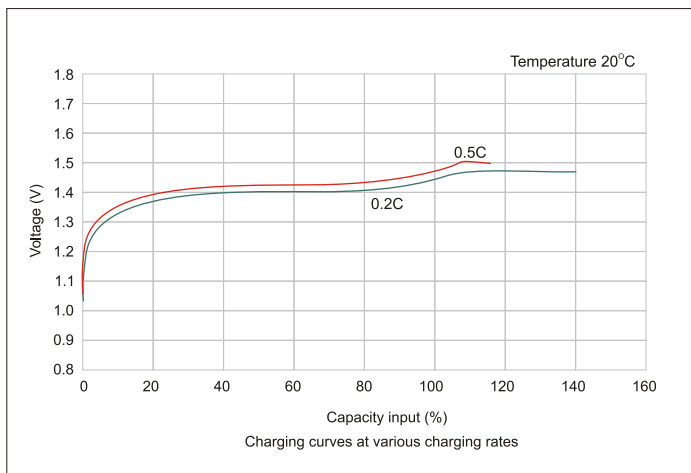
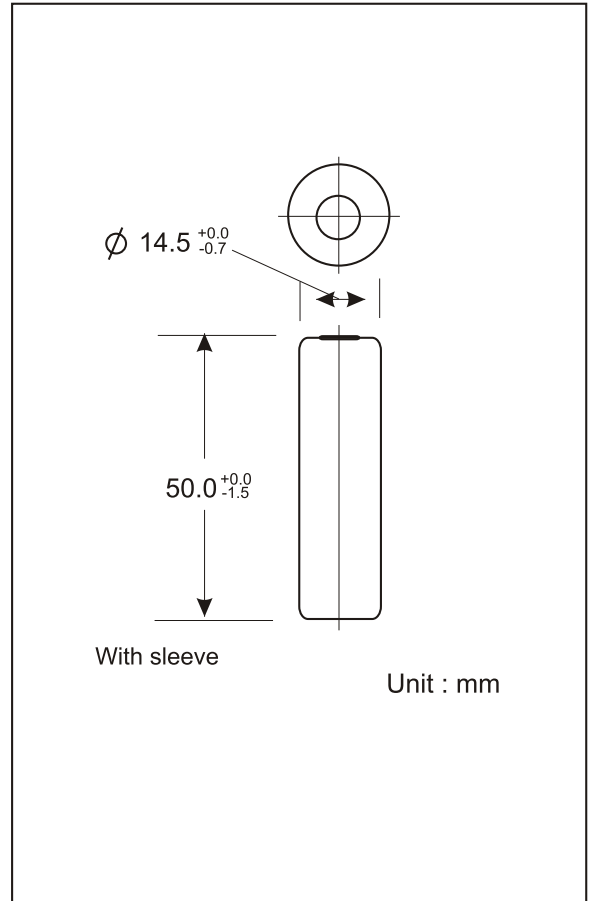
## MH-2000AA Specification

NiMH Cylindrical Battery

Size: AA IEC: KR15/51

### Typical Characteristics

Model: MH-2000AA		
Specifications		
Nominal Voltage (V)		
1.2V		
Capacity*	Typical (mAh)	2000
	Minimum (mAh)	1900
Dimension	Diameter (mm)	14.5 <sup>+0.0</sup> <sub>-0.7</sub>
	Height (mm)	50.0 <sup>+0.0</sup> <sub>-1.5</sub>
Charging**	Standard	190mA x 16 hrs
	Rapid	950mA x 138 mins - ΔV=5V
	Trickle	95mA x 48 hrs
Operating Temperature (°C)	Standard Charging	0 ~ 45°C
	Rapid Charging	10 ~ 40°C
	Discharging	-20 ~ 60°C
	Storage	-20 ~ 35°C
Service Life	>500 cycles (IEC standard)	
Internal Resistance	30m Ohm (upon fully charged)	
Weight	Approx.28 g	
Cuff-off Voltage (V)	1.00	



**Note:** \*Discharge capacity when the battery unit is discharged at 380mA to 1.0V end voltage after being charged at 190mA for 16 hours.

\*\* Please discharge to 1.0V end voltage with 380mA before charging the battery unit.