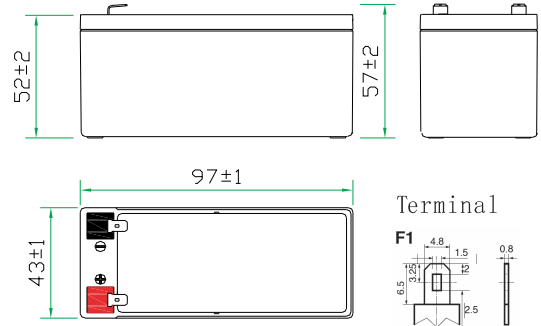


## CHEE YUEN SEALED LEAD-ACID BATTERIES

CA1212 [12V1.2AH]

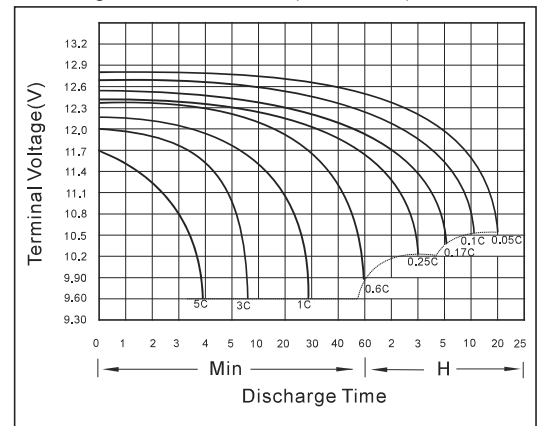
• Outer dimensions(mm)



### Specifications

Nominal Voltage		12V	Rated Capacity (20 hour rate)	1.2AH
Dimensions ±1mm	Length	97mm 3.82 inches	Weight Approx :	540g
	Width	43mm 1.69 inches	Standard	F1
	Height	52mm 2.43 inches	Terminal	
	Total Height (With Terminals)	57mm 4.01 inches	Optional Terminal	N/A

• Discharge Characteristics (25°C/77°F)



### Electrical Specifications

Capacity 77°F(25°C)	20 hour rate(60mA)	1.20AH	Internal Resistance	120mΩ
	10 hour rate(108mA)	1.08AH		
	5 hour rate (204mA)	1.02AH		
	1 hour rate(720mA)	0.72AH		
Capacity Affected by Temperature (20 hour rate)	104°F (40°C)	102%	Self-discharge 77°F(25°C)	Capacity after 1 month storage 90%
	77°F (25°C)	100%		Capacity after 3 month storage 75%
	32°F (0°C)	80%		Capacity after 6 month storage 65%
	5°F (-15°C)	50%		Capacity after 12 month storage 55%
Charge Constant Voltage	Cycle use:Initial Charging Current less than 0.36A;Voltage 14.40~15.00V 77°F(25°C) Standby use:Voltage 13.50~13.80V 77°F(25°C)			

Temperature Effects in Relation to Battery Capacity

