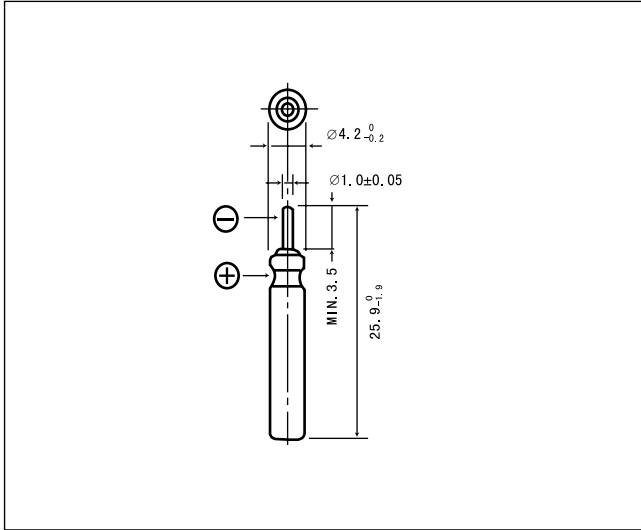


# BR425

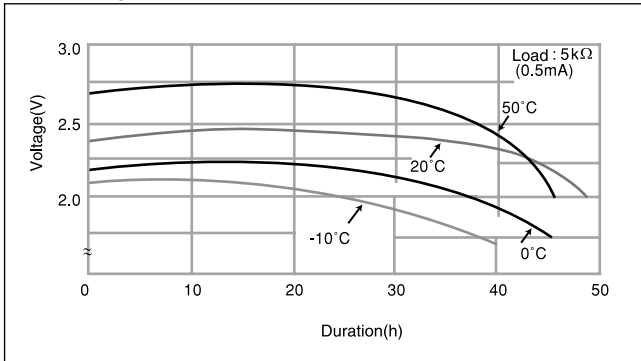
## ■ Dimensions(mm)



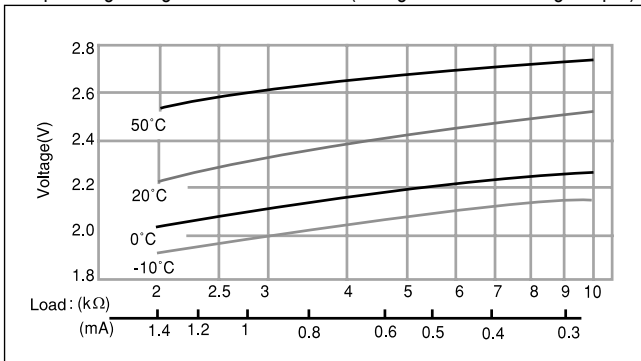
## ■ Specification

Nominal voltage(V)	3
Nominal capacity(mAh)	25
Continuous drain(mA)	0.5
Operating temperature(°C)	-30 to +80

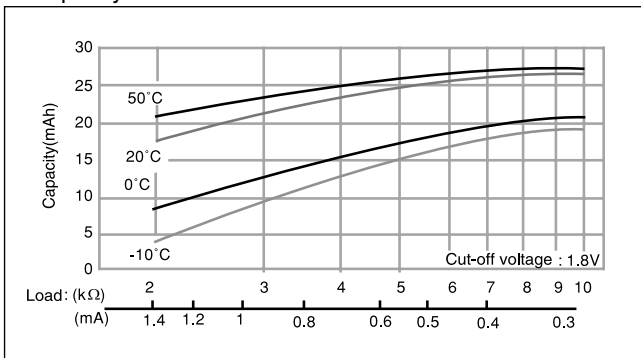
## ■ Discharge temperature characteristics



## ■ Operating voltage vs. load resistance(voltage at 50% discharge depth)

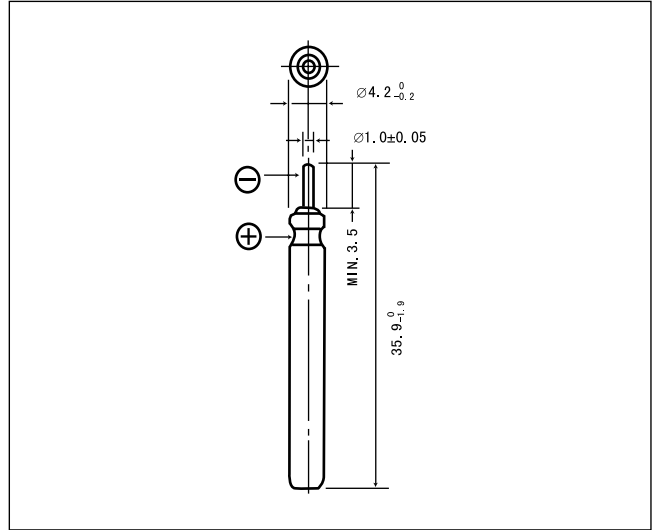


## ■ Capacity vs. load resistance



# BR435

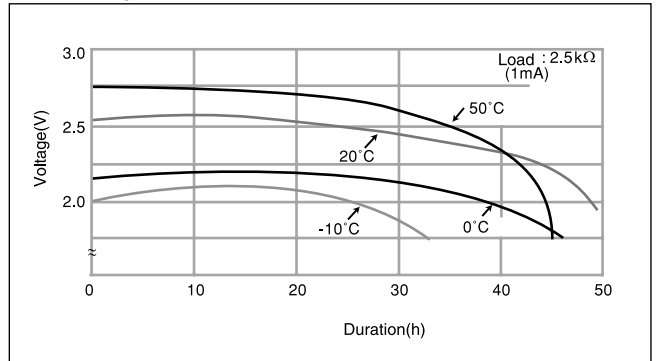
## ■ Dimensions(mm)



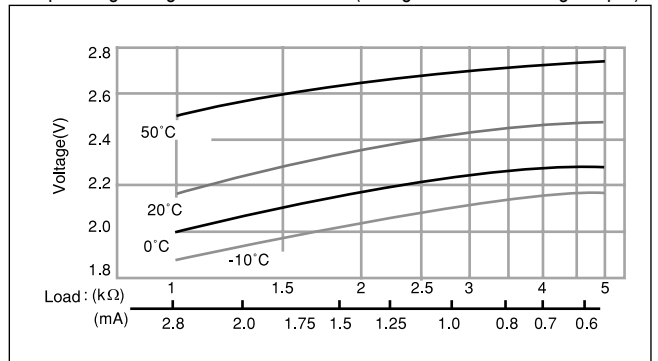
## ■ Specification

Nominal voltage(V)	3
Nominal capacity(mAh)	50
Continuous drain(mA)	1
Operating temperature(°C)	-30 to +80

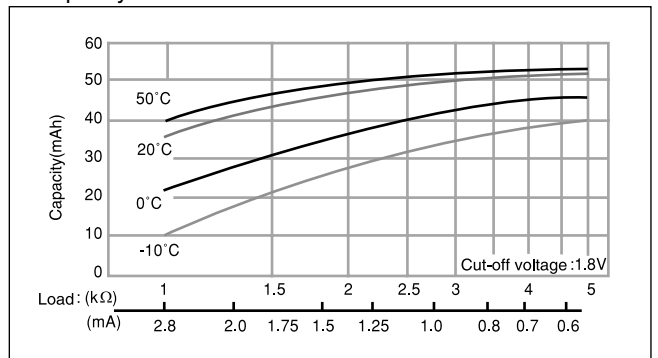
## ■ Discharge temperature characteristics



## ■ Operating voltage vs. load resistance(voltage at 50% discharge depth)



## ■ Capacity vs. load resistance



\* The data in this document are for descriptive purposes only and are not intended to make or imply any guarantee or warranty.