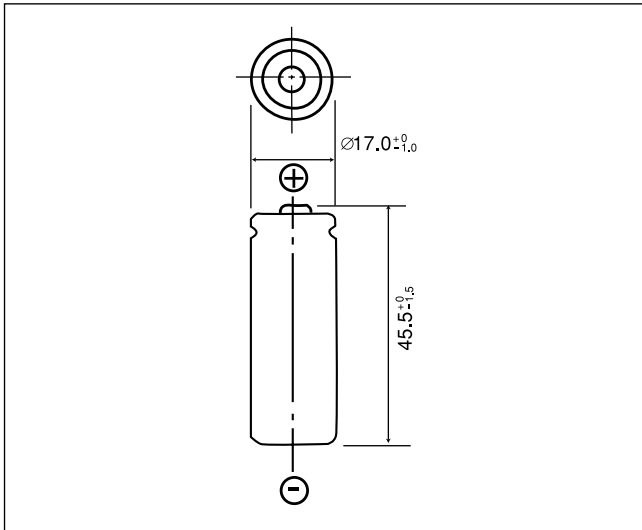


BR-AG

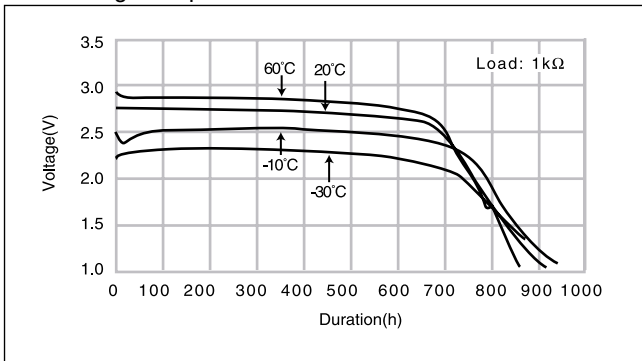
■ Dimensions(mm)



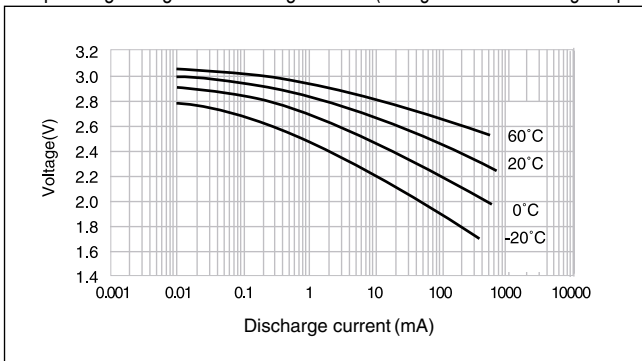
■ Specification

Nominal voltage(V)	3
Nominal capacity(mAh)	2,200
Continuous drain(mA)	2.5
Operating temperature(°C)	-40 to +85

■ Discharge temperature characteristics

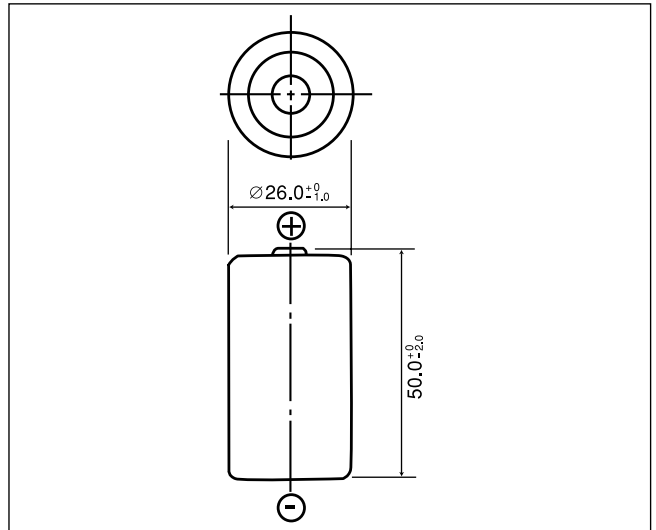


■ Operating voltage vs. Discharge current(voltage at 50% discharge depth)



BR-C

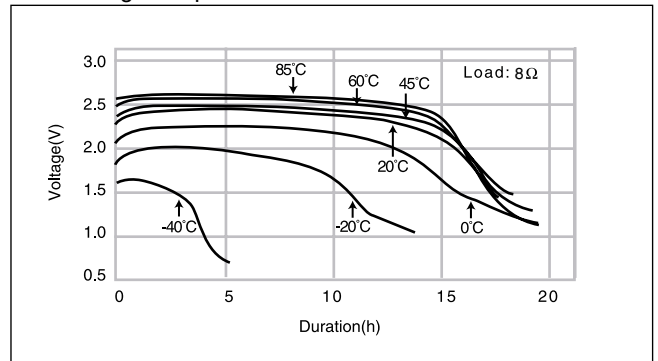
■ Dimensions(mm)



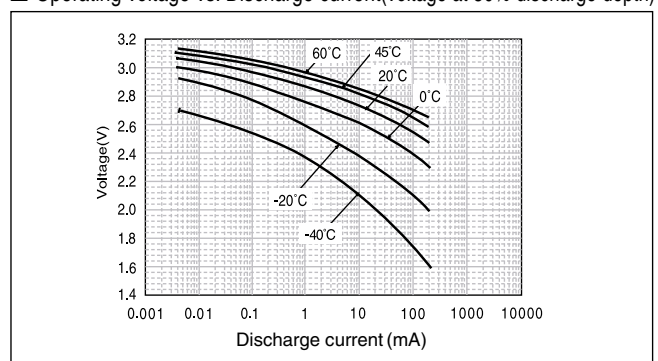
■ Specification

Nominal voltage(V)	3
Nominal capacity(mAh)	5,000
Continuous drain(mA)	5.0
Operating temperature(°C)	-40 to +85

■ Discharge temperature characteristics



■ Operating voltage vs. Discharge current(voltage at 50% discharge depth)



This product does not correspond to the special provision A45 (catalog P81*) of IATA Dangerous Goods Regulations 47th Edition.

Please be aware that this product must follow the Dangerous Goods Regulations transportation method of United Nations Class 9 (Packing Group) at the time of transportation.

* If you are looking at the web site, please see "Transporting" of "Lithium & Micro Batteries Data Files are here" .