

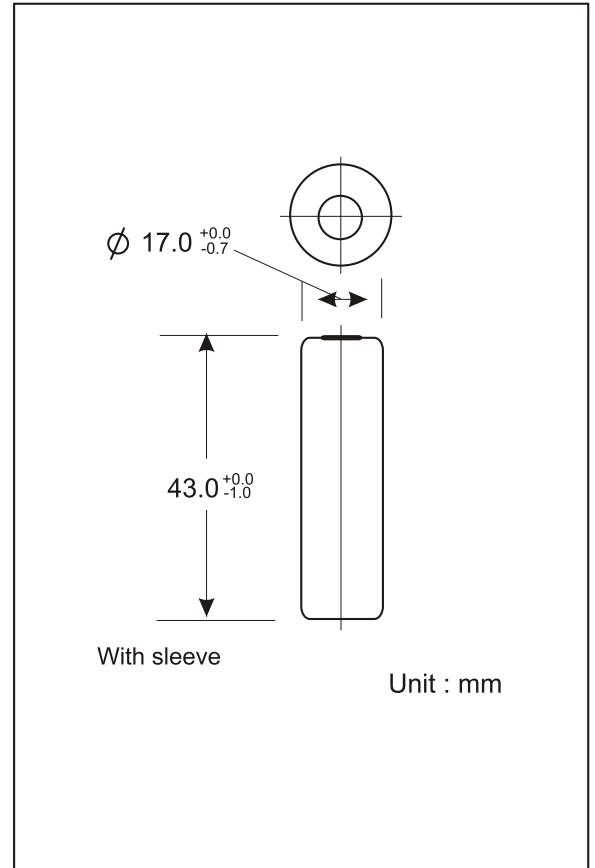
MH-1800A Specification

NiMH Cylindrical Battery

Size: 4/5A IEC: KR17/43

Typical Characteristics

Model: MH-1800A		
Specifications		
Nominal Voltage (V)		
1.2V		
Capacity*	Typical (mAh)	1800
	Minimum (mAh)	1800
Dimension	Diameter (mm)	17.0 ^{+0.0} / _{-0.7}
	Height (mm)	43.0 ^{+0.0} / _{-1.0}
Charging**	Standard	180mA x 16 hrs
	Rapid	900mA x 2.4 hours - ΔV=5V
Operating Temperature (°C)	Standard Charging	0 ~ 40°C
	Rapid Charging	10 ~ 30°C
	Discharging	-20 ~ 50°C
	Storage	-20 ~ 30°C
Service Life	>500 cycles (IEC 61951-2(2003)7.4.1)	
Internal Resistance	30m Ohm (upon fully charged)	
Weight	Approx.29g	
Cuff-off Voltage (V)	1.00	



Note: *Discharge capacity when the battery unit is discharged at 360mA to 1.0V end voltage after being charged at 180mA for 16 hours.

** Please discharge to 1.0V end voltage with 360mA before charging the battery unit.

